

The MS-3 Laser combines top performing software features and high scan speed packed into Microscan's smallest scanner.

At 1,000 decodes per second, the **MS-3 Laser** offers the fastest read performance in the class of embedded compact bar code scanners. The wide scan angle of 70 degrees coupled with ultra-compact size and flexible mounting make the **MS-3 Laser** the optimal choice for high-speed reading in OEM instruments.

High performance and flexibility are designed into virtually every aspect of the **MS-3 Laser**. Optics are factory-adjustable and our feature-rich firmware can be customized to satisfy almost any application.

The **MS-3 Laser** scanner is the performance leader in Microscan's **MS-3** trio that also includes the **MS-3 CCD** and the **MS-3 Engine**. All three are well suited for any embedded bar code application where size, performance, and budget savings are core factors.

MS-3 LASER

ULTRA-COMPACT BAR CODE SCANNER

Compact Size

The 1.75" (44.5 mm) square by .85" (21.6 mm) tall scanner weighs only 2 ounces (57 g) for easy mounting onto robotic equipment or into tight spaces.

High Scan Speed

Adjustable scan speed from 350 up to 1,000 decodes per second and Microscan's robust decode algorithms ensure accurate reading every time.

Real-Time Controls

Includes three programmable relay outputs, new master, and trigger.

Test Button and Performance LEDs

Instantly check your read rate at the push of a button, with no PC or output device required. Illuminated LEDs on top of the scanner provide visual confirmation of the scanner performance.

Low Power Draw

The MS-3 comes standard as 5V for low power draw (260 mA, typical). 10-30V input also available with interface accessory.



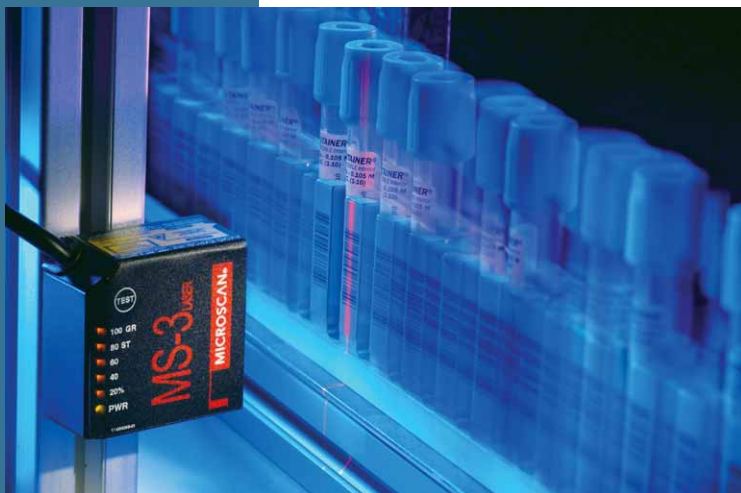
ESP™ Easy Setup Program

Microscan's ESP™ software is a user friendly, windows-based setup program that gives the user a simplified configuration tool. It is compatible with Windows 95, 98, NT, 2000, and XP.

Symbologies

Like all Microscan scanners, the MS-3 reads virtually all widely used bar code symbologies, including:

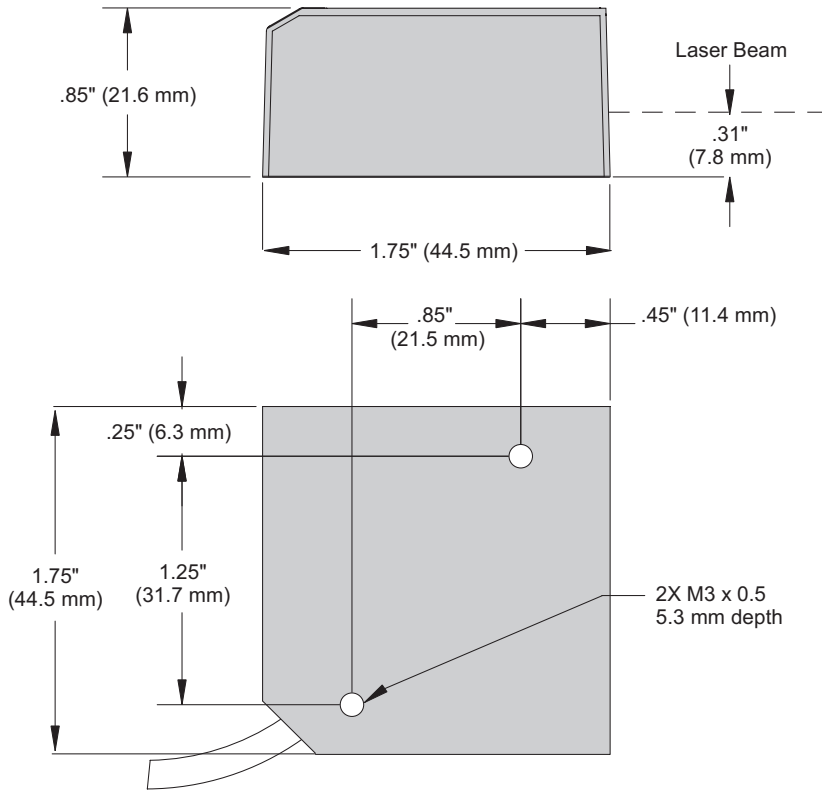
- Code 93
- Code 39
- Code 128
- Codabar
- Pharmacode
- Interleaved 2 of 5
- UPC/EAN



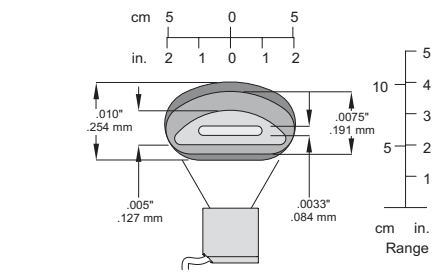
Wide Scan Angle/Adjustable Optics

The wide scan angle of over 70 degrees and a factory customizable focal point add up to space savings within your system, allowing greater flexibility with positioning.

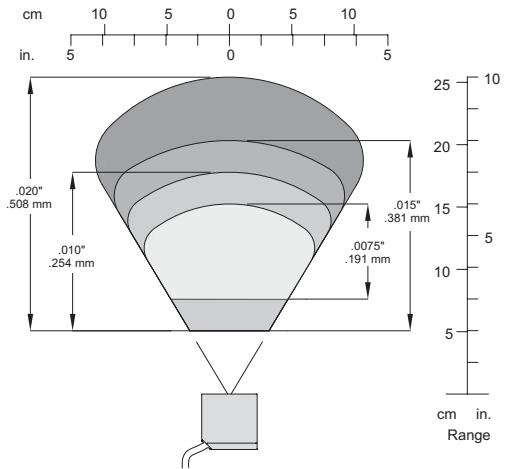
MS-3 LASER SCANNER SPECIFICATIONS AND OPTIONS



HIGH DENSITY SCAN AREA



LOW DENSITY SCAN AREA



MECHANICAL

Weight: 2 oz. (57 g)

ENVIRONMENTAL

Housing: IP54

Operating temperature: 0° to 50°C (32° to 122°F)

Humidity: Up to 90% (non-condensing)

Operating life: 40,000 hours at 25° C

CE MARK

General immunity for light industry:

EN 55024: 1998 ITE Immunity Standard

Radiated and conducted emissions of ITE equipment: EN 55022:98 ITE Disturbances

LASER LIGHT

Type: Semiconductor visible laser diode (650 nm nominal)

Safety Class: CDRH Class II

COMMUNICATION

Interface: RS-232, RS-422/485 (up to 115.2k), Keyboard Wedge, USB

PROTOCOLS

- Point-to-Point
- Point-to-Point w/RTS/CTS
- Point-to-Point w/XON/XOFF
- Point-to-Point w/RTS/CTS & XON/XOFF
- Polling Mode D
- Multidrop
- User Defined
- User Defined Multidrop
- Daisy Chain

SCANNING PARAMETERS

Options: single line, fixed raster

Scan rate: Adjustable from 300 to 1000 scans/second, default=500

Scan width angle: >70°

Pitch: ±50°

Skew: ±40°

Label contrast: 25% min. @ 650 nm

CONNECTOR

Type: 3 ft. cable terminated with 15-pin D-Sub socket connector

HOST CONNECTOR/PIN ASSIGNMENTS

15 Pin D-sub Socket Connector

Pin No.	Host RS232	Host/Aux RS232	Host RS422/485	In/Out
1	Power +5 VDC			In
2	TxD	TxD	TxD(-)	Out
3	RxD	RxD	RxD(-)	In
4	Power/Signal Ground			
5	NC			
6	RTS	Aux TxD	TxD(+)	Out
7	Output 1 TTL ^a			Out
8	Default configuration			In
9	Trigger			In
10	CTS	Aux RxD	RxD (+)	In
11	Output 3 TTL ^a			Out
12	New Master (NPN)			In
13	Chassis ground			
14	Output 2 TTL ^a			Out
15	NC			

a. Can sink 10 mA and source 2 mA.

ELECTRICAL

Power: 5 VDC +/- 5 %, 200 mV p-p max. ripple, 260 mA @ 5 VDC (typ.)

DISCRETE I/O

Trigger Input: 3 to 24V rated (1 mA @ 5 VDC)

New Master: 3 to 24V rated (1 mA @ 5 VDC)

Outputs (1, 2, 3): 5V TTL compatible, can sink 10 mA and source 2mA

SYMBOLOGIES

Code 39, Codabar, Code 128, I 2 of 5, Code 93, UPC/EAN, Pharmacode

INDICATORS

Beeper: Good read, Match/Mismatch, Noread, On/Off
LEDs: 1 status, 1 power, 5 read performance (representing percentage of good decodes)

READ RANGES

Narrow-bar-width	Read Range
HIGH DENSITY	
.0033" (.084 mm)	2.3" to 2.6" (58 to 66 mm)
.005" (.127 mm)	2" to 3.1" (51 to 79 mm)
.0075" (.191 mm)	1.7" to 3.7" (43 to 94 mm)
.010" (.254 mm)	1.5" to 4" (38 to 102 mm)
LOW DENSITY	
.0075" (.191 mm)	3" to 6" (76 to 152 mm)
.010" (.254 mm)	2" to 7" (51 to 178 mm)
.015" (.381 mm)	2" to 8" (51 to 203 mm)
.020" (.508 mm)	2" to 10" (51 to 254 mm)

Note: Read ranges are base upon optimal scan speed for specific symbol density.

SAFETY CERTIFICATIONS DESIGNED FOR CDRH, FCC, UL/cUL, CE, BSMI

ISO 9001/Cert. No. US96/0465

© 2003 Microscan Systems, Inc. 03/03 Rev. D

All rights reserved. Specifications subject to change. Product specifications are given for typical performance at 23°C (74°F) using grade A labels. Some performance characteristics may vary at high temperatures or other environmental extremes.

Warranty—One year limited warranty on parts and labor. Extended warranty available.

MICROSCAN

Microscan Systems, Inc.

Tel 425 226 5700 / 800 251 7711

Contact Cross Automation

800.866.4568

info@cross-automation.com

www.cross-automation.com

Web site: www.smallscanners.com

E-mail: info@microscan.com

Tech support: helpdesk@microscan.com