



Available from Cross Automation  
800.866.4568

# Rittal – Floormount TS8

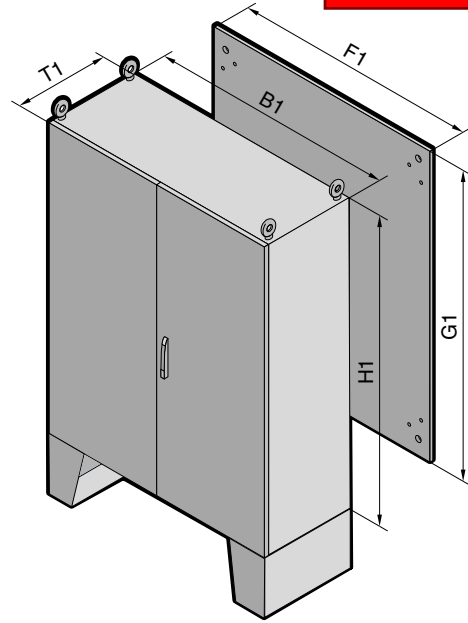


## A Step-Up In Modular Protection

# Floormount TS8 Modular Enclosure System

Height: 1600 mm (63") / 1800 mm (71")

Available from Cross Automation  
800.866.4568



## Rittal TS8 – The Industry Leader

Rittal sets the standard for modular enclosure design with the TS8 freestanding cabinet family.

Ideal for demanding industrial applications, the frame-based design provides rugged protection for electrical equipment in a variety of environmental conditions and applications.

Combined with a wide range of accessories, the TS8 enclosure is up to virtually any design challenge.

### Material:

Sheet steel  
Enclosure frame, roof, rear wall, solid floor panel: 14 ga (2.0 mm)  
Legs: 11 ga (3.0 mm)  
Door: 14 ga (2.0 mm)  
Mounting panel: 11 ga (3.0 mm)

### Finish:

Enclosure frame: Dipcoat-primed  
Door, roof and rear wall: Powder-coated in RAL 7035 (light gray) on the outside  
Mounting panel: Zinc-plated

## Floormount TS8 Modular Enclosure

- Ideal for applications that require that components be raised off the plant floor.
- Includes 12" removable floor stands
- Overlapping doors mean no center mullions
- Solid top and bottom panels
- Removable heavy duty eyebolts for lifting
- 14 gauge skins, all internally fastened for added strength and security
- Full size zinc-plated mounting panel – fully depth adjustable
- Compatible with TS8 system accessories

### Configuration:

Enclosure frame with doors, 12 inch bolt-on leg kit, mounting panel, roof plate, rear wall, sidewalls, solid floor panel, comfort handle with push button insert

### Certifications:

UL, cUL  
UL file: E76083

### Detailed Drawings:

visit [www.rittal-corp.com](http://www.rittal-corp.com)

### Protection Ratings:

UL Type 12, (IP 55) to EN 60 529



### Lights

For interior illumination, see North American Industrial Solutions Guide page 130.



### Lock Inserts

For comfort handle, see North American Industrial Solutions Guide page 118.

# Floormount TS8 Modular Enclosure Systems

**Height: 1600 mm (63") / 1800 mm (71")**

## Floormount TS8 Enclosures - Carbon Steel - 63" (1600 mm) Height, 12" (300 mm) / 16" (400 mm) Depth

Height (H1) in inches (mm)	PU	63 (1600)	63 (1600)	63 (1600)	63 (1600)
Width (B1) in inches (mm)		47 (1200)	63 (1600)	47 (1200)	63 (1600)
Depth (T1) in inches (mm)		12 (300)	12 (300)	16 (400)	16 (400)
Panel Height (G1) in inches (mm)		59 (1496)	59 (1496)	59 (1496)	59 (1496)
Panel Width (F1) in inches (mm)		43 (1099)	59 (1499)	43 (1099)	59 (1499)
<b>Part No. TSFM</b>	1	<b>TSM634712NC</b>	<b>TSM636312NC</b>	<b>TSM634716NC</b>	<b>TSM636316NC</b>
Weight in lb (kg)		352 (160)	452 (205)	359 (163)	459 (209)

## Floormount TS8 Enclosures - Carbon Steel - 63" (1600 mm) Height, 20" (500 mm) / 24" (600 mm) Depth

Height (H1) in inches (mm)	PU	63 (1600)	63 (1600)	63 (1600)	-
Width (B1) in inches (mm)		47 (1200)	47 (1200)	63 (1600)	-
Depth (T1) in inches (mm)		20 (500)	24 (600)	24 (600)	-
Panel Height (G1) in inches (mm)		59 (1496)	59 (1496)	59 (1496)	-
Panel Width (F1) in inches (mm)		43 (1099)	43 (1099)	59 (1499)	-
<b>Part No. TSFM</b>	1	<b>TSM634720NC</b>	<b>TSM634724NC</b>	<b>TSM636324NC</b>	-
Weight in lb (kg)		366 (166)	415 (189)	481 (219)	-

## Floormount TS8 Enclosures - Carbon Steel - 71" (1800 mm) Height, 12" (300 mm) / 16" (400 mm) Depth

Height (H1) in inches (mm)	PU	71 (1800)	71 (1800)	71 (1800)	71 (1800)
Width (B1) in inches (mm)		63 (1600)	71 (1800)	63 (1600)	71 (1800)
Depth (T1) in inches (mm)		12 (300)	12 (300)	16 (400)	16 (400)
Panel Height (G1) in inches (mm)		67 (1696)	67 (1696)	67 (1696)	67 (1696)
Panel Width (F1) in inches (mm)		59 (1499)	67 (1699)	59 (1499)	67 (1699)
<b>Part No. TSFM</b>	1	<b>TSM716312NC</b>	<b>TSM717112NC</b>	<b>TSM716316NC</b>	<b>TSM717116NC</b>
Weight in lb (kg)		486 (221)	546 (248)	493 (224)	553 (251)

## Floormount TS8 Enclosures - Carbon Steel - 71" (1800 mm) Height, 20" (500 mm) / 24" (600 mm) Depth

Height (H1) in inches (mm)		71 (1800)	71 (1800)	71 (1800)	71 (1800)
Width (B1) in inches (mm)		63 (1600)	71 (1800)	63 (1600)	71 (1800)
Depth (T1) in inches (mm)		20 (500)	20 (500)	24 (600)	24 (600)
Panel Height (G1) in inches (mm)		67 (1696)	67 (1696)	67 (1696)	67 (1696)
Panel Width (F1) in inches (mm)		59 (1499)	67 (1699)	59 (1499)	67 (1699)
<b>Part No. TSFM</b>	1	<b>TSM716320NC</b>	<b>TSM717120NC</b>	<b>TSM716324NC</b>	<b>TSM717124NC</b>
Weight in lb (kg)		500 (227)	560 (255)	517 (235)	580 (264)

Available from Cross Automation  
800.866.4568



### System Chassis

For interior mounting, see North American Industrial Solutions Guide page 125.



### Partial Mounting Panels

For interior mounting, see North American Industrial Solutions Guide page 124.

# Rittal – The Modular Enclosure Experts

Available from Cross Automation  
800.866.4568

Want to find out more about Rittal Floormount TS8 Modular Enclosures? Helping our customers find the right solution for their application is something we take seriously. Take advantage of our expertise – let's see what we can do to assist you. You can contact Rittal:

- By phone – 1-800-477-4000
- On the web – [www.rittal-corp.com](http://www.rittal-corp.com)
- By copying the form below and faxing it to **937-390-7349**:

\_\_\_\_\_  
Name

\_\_\_\_\_  
Company

\_\_\_\_\_  
Title

\_\_\_\_\_  
Department

\_\_\_\_\_  
Address

\_\_\_\_\_  
City/State/Zip

\_\_\_\_\_  
Telephone

\_\_\_\_\_  
Mobile

\_\_\_\_\_  
Fax

\_\_\_\_\_  
E-Mail

Tell Us About Your Application

- Have a Rittal representative visit me     Contact me by phone     Contact me by E-Mail

Please send me these Rittal catalogs:



North American Industrial Solutions Guide

Enclosures for even the most demanding environments.



RiLAN

Industrial networking cabinets for plant floor installations.



The Future of Climate Control

Climate control for your unique applications.



TS8 RittalXpress

TS8 enclosures and accessories in one to five days.

3/08 • USA118 • 5M

Rittal Corporation • One Rittal Place • Springfield, OH 45504, USA  
Phone: 937.399.0500 • Fax: 937.390.5599 • Toll-free: 1.800.477.4000 • [www.rittal-corp.com](http://www.rittal-corp.com) • Email: [rittal@rittal-corp.com](mailto:rittal@rittal-corp.com)

Rittal Systems Ltd. • 7320 Pacific Circle • Mississauga, Ontario Canada L5T 1V1  
Phone: 905.795.0777 • Fax: 905.795.9548 • Toll-free: 800.399.0748 • [www.rittal.ca](http://www.rittal.ca) • Email: [marketing@rittal.ca](mailto:marketing@rittal.ca)



**Switch to perfection** **-RITTAL**