

Block-type Power Supply Easily Connects With Multiple Units and Offers Many Output Combinations

- AC/DC Bus System
- Up to four blocks can be connected to increase power from 60 to 240 W
- N+1 redundant capability to highly reliable system
- Flexible connection for multi-output power supply (5 V, 12 V, 24 V outputs)
- Size consistency minimizes stock types
- UL 508 listed, Class 2 output and Class 1 Div. 2 approved
- Complies with EN6100-3-2 (limits for harmonic current)
- 3-year warranty



Ordering Information

■ Basic Block

Description		Part number	
Output voltage	Output current	With Bus Line Connectors	Without Bus Line Connectors
24 V	2.5 A	S8TS-06024F-E1	S8TS-06024F
12 V	2.5 A	S8TS-03012F-E1	S8TS-03012F
5 V	5 A	—	S8TS-02505F

■ Bus Line Connector

Type	Part number
AC line + DC line bus (For parallel operation)	S8T-BUS01
AC line bus (For series operation or isolated operation)	S8T-BUS02

■ Accessories (sold separately)

Type	Length	Width	Part number
DIN-rail (see <i>Dimensions</i> section for details)	0.5 m (1.64 ft)	7.3 mm (0.29 in)	PFP-50N
	1 m (3.28 ft)	7.3 mm (0.29 in)	PFP-100N
	1 m (3.28 ft)	16 mm (0.63 in)	PFP-100N2
End plate			PFP-M

■ Part Number Legend

S8TS- -

1 2 3 4

1. Capacity

060: 60 W
030: 30 W
025: 25 W

2. Output Voltage

24: 24 V
12: 12 V
05: 5 V

3. Structure

F: Connector terminals

4. Bus Line Connectors

None: Basic Block only
E1: S8T-BUS01 and S8T-BUS02 included

Specifications

■ Ratings/Characteristics

24/12-V Models (Basic Block: S8TS-06024□/S8TS-03012□)

Item		Single operation	Parallel operation	
Efficiency		24-V models: 75% min.; 12-V models: 70% min. (with rated input, 100% load)		
Input	Voltage	100 to 240 VAC (85 to 264 VAC)		
	Frequency	50/60 Hz (47 to 63 Hz)		
	Current	100 V input	24-V models: 1.0 A max. 12-V models: 0.7 A max.	24-V models: 1.0 A × (No. of Blocks) max. 12-V models: 0.7 A × (No. of Blocks) max.
		200 V input	24-V models: 0.5 A max. 12-V models: 0.4 A max.	24-V models: 0.5 A × (No. of Blocks) max. 12-V models: 0.4 A × (No. of Blocks) max.
	Power factor		24-V models: 0.9 min.; 12-V models: 0.8 min. (with rated input, 100% load) (See note 3.)	
	Leakage current	100 V input	0.35 mA max.	0.35 mA × (No. of Blocks) max.
		240 V input	0.7 mA max.	0.7 mA × (No. of Blocks) max.
Inrush current (25°C, cold start) (See note 4.)	100 V input	25 A max.	25 A × (No. of Blocks) max.	
	200 V input	50 A max.	50 A × (No. of Blocks) max.	
Output (See note 3.)	Voltage adjustment range	24-V models: 22 to 28 V 12-V models: 12 V ±10% (with V.ADJ) (See note 1.)		
	Ripple	2% (p-p) max.		
	Input variation influence	0.5% max. (with 85 to 264 VAC input, 100% load)		
	Load variation influence	2% max. (with rated input, 10% to 100% load)	3% max. (with rated input, 10% to 100% load)	
	Startup time (See note 4.)	1,000 ms max.		
	Hold time (See note 4.)	20 ms min. (with 100/200 VAC, rated input)		
Additional functions	Overcurrent protection (See note 4.)	105% to 125% of rated load current, inverted L drop type, automatic reset	100% to 125% of rated load current inverted L drop type, automatic reset	
	Overvoltage protection (See note 4.)	Yes		
	Parallel operation	Yes, 4 Blocks max.		
	N+1 redundant system	Yes, 5 Blocks max.		
	Series operation	Yes		
	Undervoltage indicator (See note 4.)	Yes (color: red)		
	Undervoltage detection output (See note 4.)	Yes (open collector output), 30 VDC max., 50 mA max.		
Other	Ambient operating temperature (See note 4.)	Operating: Refer to the derating curve in <i>Engineering Data</i> . Storage: -25 to 65 °C (with no icing or condensation)		
	Ambient humidity	Operating: 25% to 85%; Storage: 25% to 90%		
	Dielectric strength	3.0 kVAC, 50/60 Hz for 1 minute (between all inputs and all outputs; detection current: 20 mA)		
		2.0 kVAC, 50/60 Hz for 1 minute (between all inputs and GR terminal; detection current: 20 mA)		
		1.0 kVAC for 1 minute (between all outputs and GR terminal; detection current: 20 mA)		
	Insulation resistance	100 MΩ min. (between all outputs and all inputs, and between all outputs and GR terminal) at 500 VDC		
	Vibration resistance	10 to 55 Hz, 0.375-mm single amplitude for 2 h each in X, Y, and Z directions		
	Shock resistance	150 m/s ² , 3 times each in ±X, ±Y, and ±Z directions		
	Output indicator	Yes (color: green)		
	Electromagnetic interference	Conforms to FCC Class A, EN50081-1		
	EMI	Conforms to EN50081-1/1992		
	EMS	Conforms to EN61000-6-2/1999		
	Power factor correction	Conforms to EN61000-3-2, EN61000-3-2 A14		
	Approved standards	UL: 508 (Listing; Class 2: Per UL1310), 1950, 1604 cUL: CSA C22.2 No.14, No.213, No. 950 (Class 2) (See note 2.) EN/VDE: EN50178 (=VDE0160), 60950 (=VDE0806)		
	Weight	450 g max.	450 g × (No. of Blocks) max.	

Note: 1. Refer to *Operation* section for details on adjusting the output voltage for parallel operation.
2. Class 2 approval does not apply to parallel operation.
3. The output specification is defined at the power supply output terminals

4. Refer to the *Engineering Data* section for details.

5-V Models (Basic Block: S8TS-02505□)

Item		Single operation	
Efficiency (typical)		62% min. (with rated input, 100% load)	
Input	Voltage		100 to 240 VAC (85 to 264 VAC)
	Frequency		50/60 Hz (47 to 63 Hz)
	Current	100 V input	0.7 A max.
		200 V input	0.4 A max.
	Power factor		0.8 min. (with rated input, 100% load)
	Leakage current	100 V input	0.35 mA max.
		240 V input	0.7 mA max.
Inrush current (25°C, cold start) (See note 2.)	100 V input	25 A max.	
	200 V input	50 A max.	
Output (See note 1.)	Voltage adjustment range		5 V \pm 10% (with V. ADJ)
	Ripple		2% (p-p) max.
	Input variation influence		0.5% max. (with 85 to 264 VAC input, 100% load)
	Load variation influence		1.5% max. (with rated input, 10% to 100% load)
	Startup time (See note 2.)		1,000 ms max.
	Hold time (See note 2.)		20 ms min. (with 100/200 VAC, rated input)
Additional functions	Overcurrent protection (See note 2.)		105% to 125% of rated load current, inverted L drop type, automatic reset
	Overvoltage protection (See note 2.)		Yes
	Parallel operation		No
	N+1 redundant system		No
	Series operation		Yes (with the external diode)
	Undervoltage indicator (See note 2.)		Yes (color: red)
	Undervoltage detection output (See note 2.)		Yes (open collector output), 30 VDC max., 50 mA max.
Other	Ambient operating temperature (See note 2.)		Operating: Refer to the derating curve in <i>Engineering Data</i> . Storage: -25 to 65 °C (with no icing or condensation)
	Ambient humidity		Operating: 25% to 85%, Storage: 25% to 90%
	Dielectric strength	3.0 kVAC, 50/60 Hz for 1 minute (between all inputs and all outputs; detection current: 20 mA)	
		2.0 kVAC, 50/60 Hz for 1 minute (between all inputs and GR terminal; detection current: 20 mA)	
		1.0 kVAC for 1 minute (between all outputs and GR terminal; detection current: 20 mA)	
	Insulation resistance		100 M Ω min. (between all outputs and all inputs, and between all outputs and GR terminal) at 500 VDC
	Vibration resistance		10 to 55 Hz, 0.375-mm single amplitude for 2 h each in X, Y, and Z directions
	Shock resistance		150 m/s ² , 3 times each in \pm X, \pm Y, and \pm Z directions
	Output indicator		Yes (color: green)
	Electromagnetic interference		Conforms to FCC Class A, EN50081-1
	EMI		Conforms to EN50081-1/1992
	EMS		Conforms to EN61000-2/1999
	Power factor correction		Conforms to EN61000-3-2, EN61000-3-2A14
	Approved standards		UL: 508 (Listing), 1950, 1604 cUL: CSA C22.2 No.14, No.213, No. 950 EN/VDE: EN50178 (=VDE0160), 60950 (=VDE0806)
	Weight		450 g max.

Note: 1. The output current specification is defined at the power supply output terminals.

2. Refer to the *Engineering Data* section for details.

■ Reference Value

Item	Value	Definition
Reliability (MTBF)	135,000 hrs min.	MTBF stands for Mean Time Between Failures, which is calculated according to the probability of accidental device failures, and indicates reliability of devices. Therefore, it does not necessarily represent the life of the product.
Life expectancy	10 yrs. min.	The life expectancy indicates average operating hours under the ambient temperature of 40°C and a load rate of 50%. Normally this is determined by the life expectancy of the built-in aluminum electrolytic capacitor.

Operation

■ Maximum Number of Blocks That Can Be Connected

Basic Blocks can be connected using Bus Line Connectors.

Increasing Output Capacity

Part number	Number of Blocks	N+1 Redundant System
S8TS-06024□	4 Blocks	Yes, 5 Blocks
S8TS-03012□	4 Blocks	Yes, 5 Blocks
S8TS-02505□	No	No

N+1 Redundant Systems

To ensure stable operation when there is a failure in one of the Blocks, use within the derating curve for N+1 redundant systems.

Multi-output Power Supply

Up to 4 Basic Blocks with different output voltage specifications can be connected.

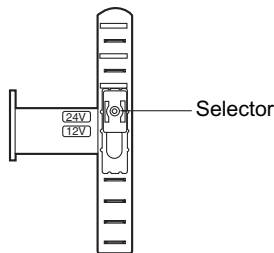
■ Selecting Bus Line Connectors

Select Bus Line Connectors according to the connecting method as follows:

- For parallel operation:

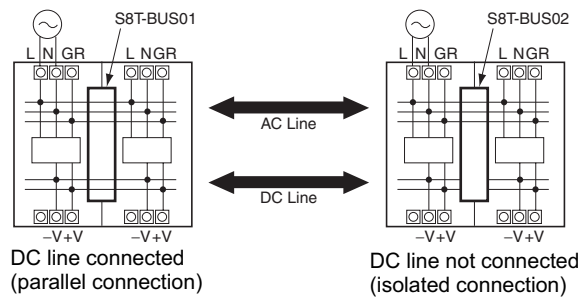
S8T-BUS01 (DC line connected)

The S8T-BUS01 Bus Line Connector is equipped with a selector to prevent erroneous connection of Blocks with different output voltage specifications. Slide the selector to the output voltage for parallel operation.



- Not for parallel operation:

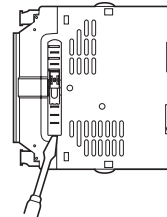
S8T-BUS02 (DC line not connected)



■ Mounting and Removing Bus Line Connectors

Pay attention to the following points to maintain electrical characteristics.

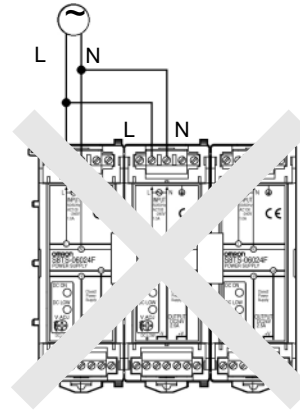
- Do not insert/remove the Connectors more than 20 times.
- Do not touch the Connector terminals.
- To remove the Connectors, insert a flat-bladed screwdriver alternately at both ends.



■ Wiring Connected Blocks

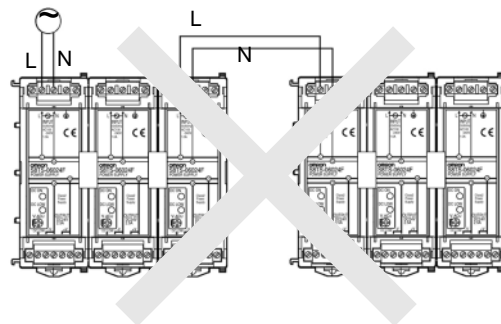
When connecting Blocks together, wire input lines to one Block only, otherwise inputs may be shorted internally resulting in damage to the Block.

Note Do not wire inputs to more than one Block.



Do not cross-wire Blocks or wire between a Block and another device. If the rated current is exceeded, Bus Line Connectors may be damaged.

Note Do not use cross-wire Blocks.

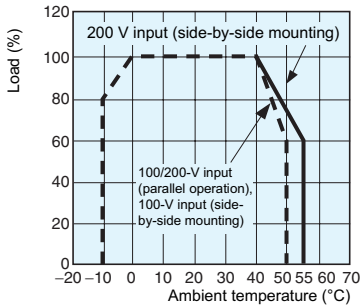
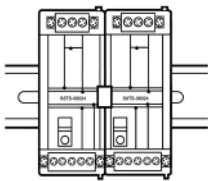


When Basic Blocks are connected together, it is necessary to wire the GR terminal of only one Block, not all the Blocks.

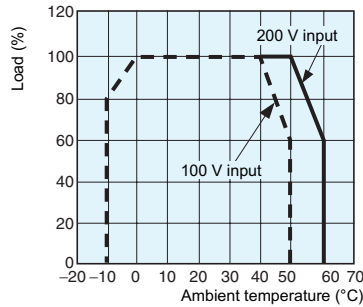
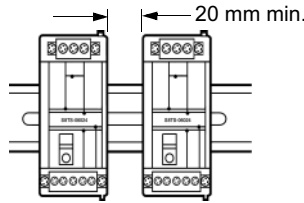
Engineering Data

Derating Curves

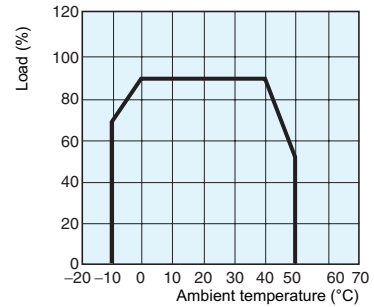
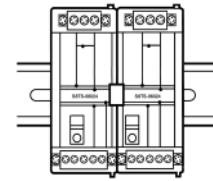
Parallel Operation and Side-by-side Mounting



Single Operation with Spaces between Blocks



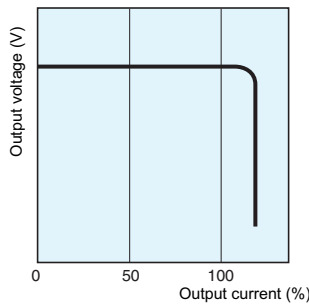
N+1 Redundant System



Note If there is a derating problem, use forced air-cooling. The ambient temperature is specified for a point 50 mm below the power supply.

Overload Protection

The Power Supply is provided with an overload protection function that protects the load and the power supply from possible damage by overcurrent. When the output current rises above 105% min. of the rated current (100% min. of the rated current for parallel operation), the protection function is triggered, decreasing the output voltage. When the output current falls within the rated range, the overload protection function is automatically cleared.

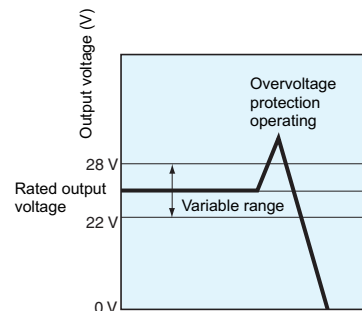


Note Do not allow the short-circuited or overcurrent state to continue for more than 20 s, otherwise internal elements may deteriorate or be destroyed.

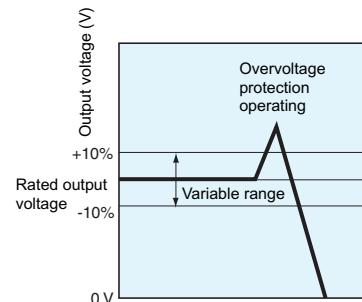
Overvoltage Protection

The Power Supply is provided with an overvoltage protection function that protects the load and the Power Supply from possible damage by overvoltage. When an excessive voltage is output, the output voltage is shut OFF. Reset the Power Supply by turning it OFF for at least 1 minute and then turning it back ON again.

24-V Models

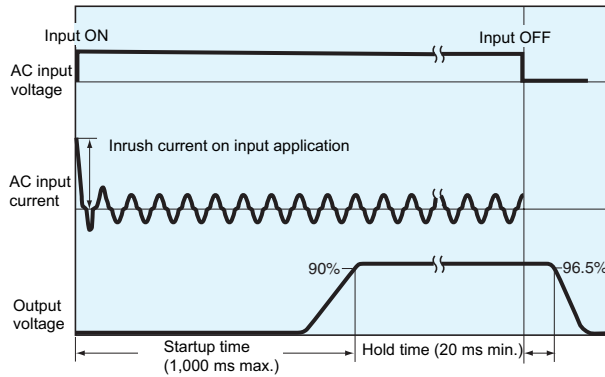


12-V and 5-V Models



Note Do not turn ON the power again until the cause of the overvoltage has been removed.

■ Inrush Current, Startup Time, Hold Time



■ Undervoltage Indicator and Undervoltage Detection Output

When a drop in the output voltage is detected, the red indicator (DC LOW) lights and transistor (DC LOW: OUT) output turns ON. The detection voltage is set to approximately 80% (75% to 90%) of the rated output voltage.

This function monitors the voltage at the output terminals. For accurate confirmation of the output status, measure the voltage at the output terminal.

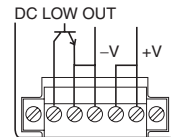
Status of indicator	Voltage status	Output status (See note 1.)
Green: <input checked="" type="radio"/> DC ON Red: <input type="radio"/> DC LOW	Higher than approx. 80% of the rated output voltage	ON
Green: <input checked="" type="radio"/> DC ON (See note 2.) Red: <input checked="" type="radio"/> DC LOW	Less than approx. 80% of the rated output voltage	OFF
Green: <input type="radio"/> DC ON Red: <input type="radio"/> DC LOW	Close to 0 V	OFF

Note: 1. Transistor output: Open collector
30 VDC max., 50 mA max.
ON residual voltage: 2 V max.
OFF leakage current: 0.1 mA max.

2. The indicators become dimmer as the output voltage approaches 0 V.

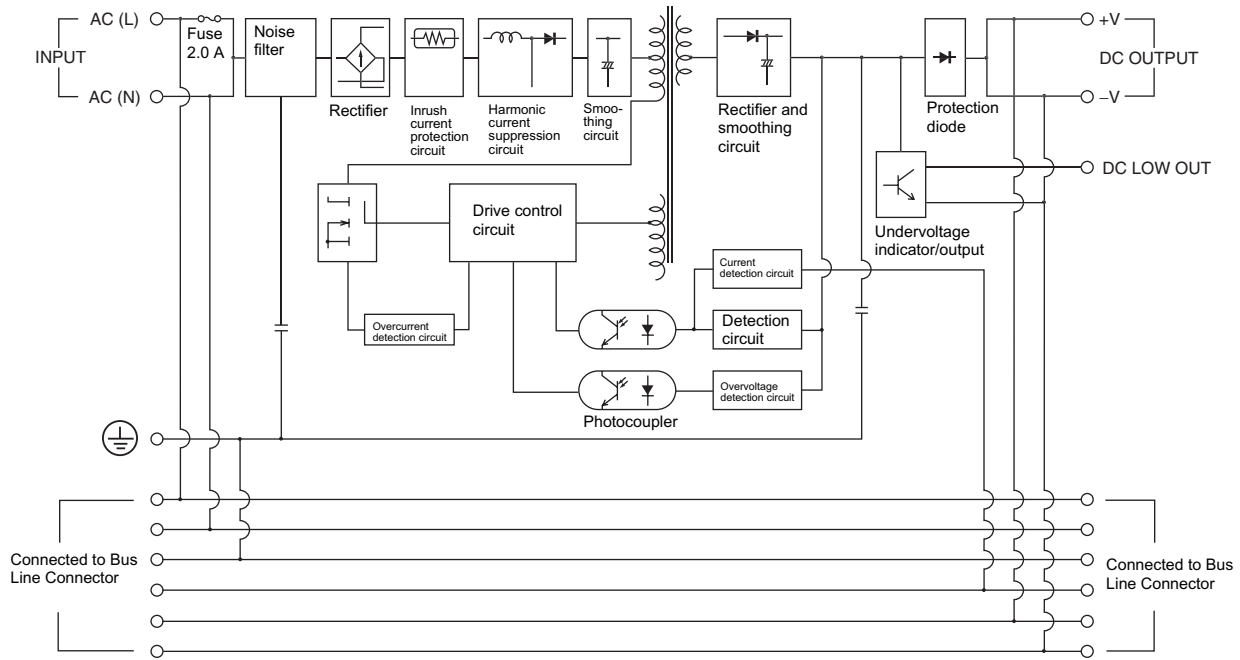
Undervoltage Output

Blocks with Screw Terminals Blocks with Connector Terminals

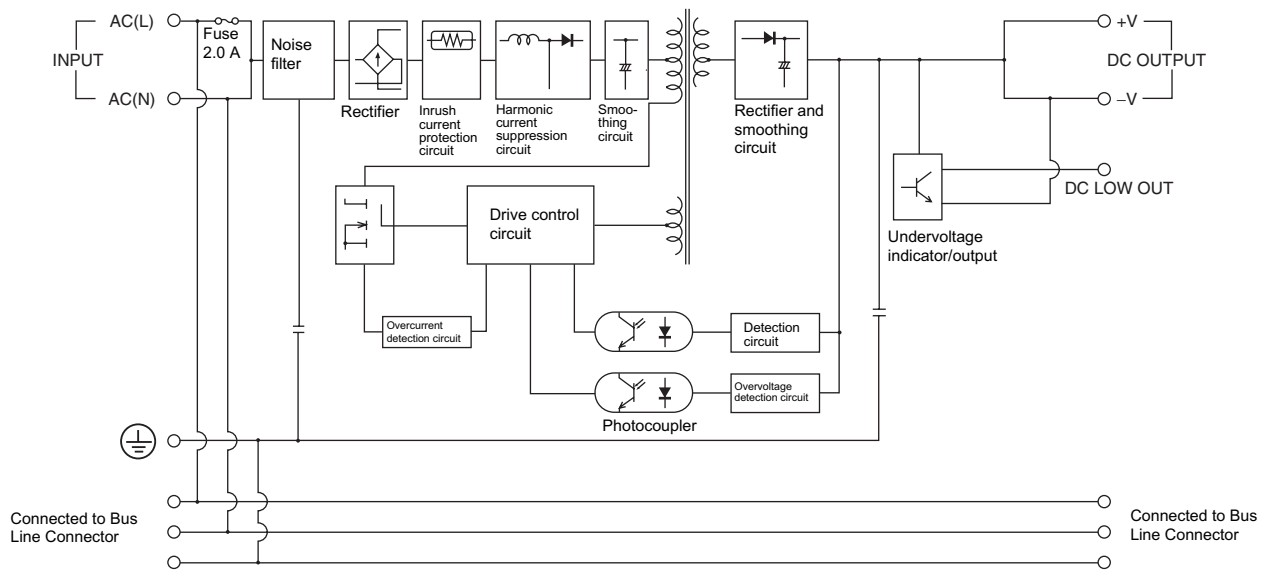


Block Diagrams

■ S8TS-06024□ and S8TS-03012□



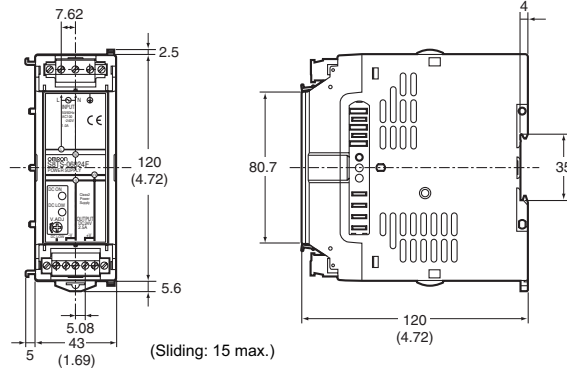
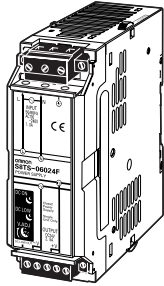
■ S8TS-02505□



Dimensions

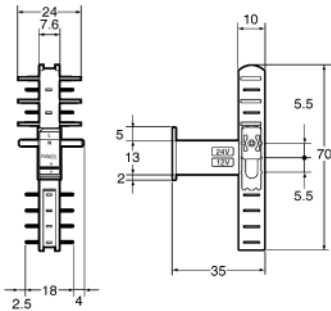
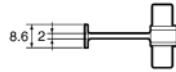
Unit: mm (inch)

■ S8TS-□□□□□F

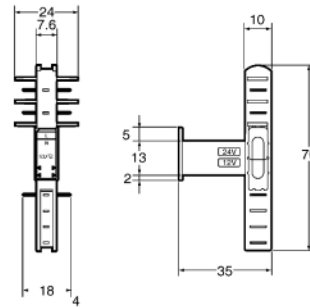


■ Bus Line Connector

S8T-BUS01



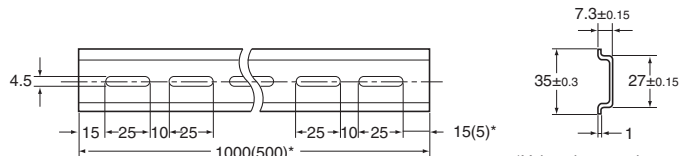
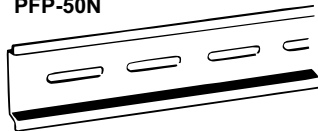
S8T-BUS02



■ Accessories (order separately)

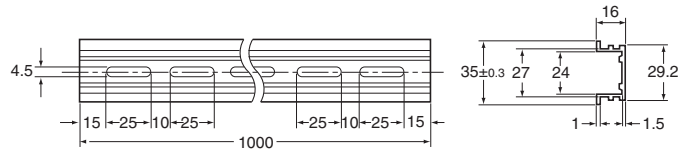
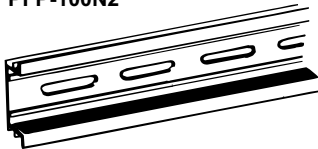
DINTrack

PFP-100N
PFP-50N



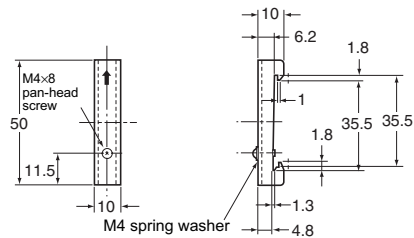
*Values in parentheses are for the PFP-50N.

PFP-100N2



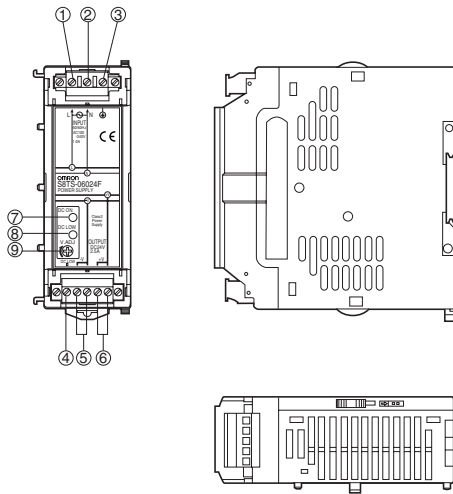
End Plate

PFP-M



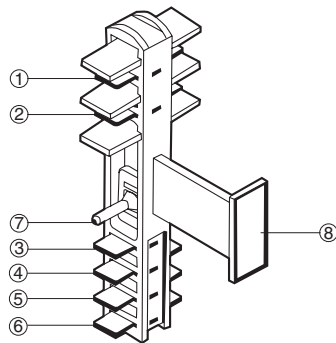
Installation

■ S8TS-□□□□□F

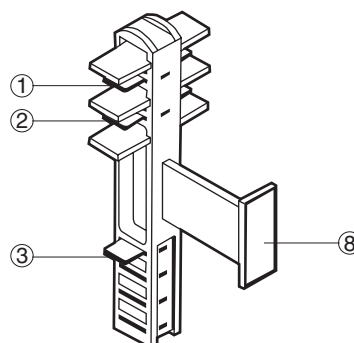


- ① AC Input Terminal (L): Connect an input line to this terminal.
- ② AC Input Terminal (N): Connect an input line to this terminal.
- ③ Ground Terminal (GR): Connect a ground line to this terminal.
- ④ Undervoltage Detection Output (DC LOW OUT): Open Collector output
- ⑤ DC Output Terminal (-V): Connect load lines to this terminal.
- ⑥ DC Output Terminal (+V): Connect load lines to this terminal.
- ⑦ Output Indicator (DC ON: Green): Lights while DC output is ON.
- ⑧ Undervoltage Indicator (DC LOW: Red): Lights when the voltage at the output terminal drops.
- ⑨ Output Voltage Adjuster (V.ADJ): Use to adjust the voltage.

S8T-BUS01 Bus Line Connector (AC Line + DC Line Bus)



S8T-BUS02 Bus Line Connector (AC Line Bus)



- ① AC Input Terminal (L)
- ② AC Input Terminal (N)
- ③ Ground Terminal (GR)
- ④ Parallel Operation Signal Terminal
- ⑤ DC Output Terminal (+V)
- ⑥ DC Output Terminal (-V)
- ⑦ Output Voltage Selector
- ⑧ Projected Indicator Section

Precautions

⚠ WARNING

Do not attempt to take any Block apart or touch the interior of a Block while the power is being supplied. Doing so may result in electric shock.

Do not connect or separate any Blocks while the power is being supplied. Doing so may result in electric shock.

Do not remove the connector cover on unused Bus Line Connectors. Doing so may result in electric shock.

Close the terminal covers before use. Not doing so may result in electric shock.

⚠ Caution

When connecting Blocks, lock the sliders and track stoppers.

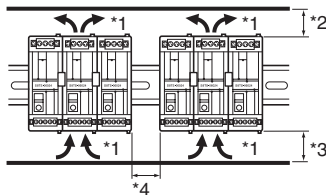
When connecting Blocks, wire the input line for 1 Block only. Otherwise, inputs may be shorted internally resulting in damage to the Blocks.

The tightening torque for terminal screws is 1.08 N·m. The tightening torque for connector screws and screw flanges is 0.30 N·m. Loose screws may result in fire.

Do not touch the Power Supply while power is supplied or immediately after power is turned OFF. The Power Supply becomes hot and touching it may result in injury.

■ Mounting

To improve the long-term reliability of devices, give due consideration to heat dissipation when mounting. With the S8TS, heat is dissipated by natural convection. Mount Blocks in a way that allows convection in the atmosphere around them.



*1. Convection of air

*2. 75 mm min.

*3. 75 mm min.

*4. 10 mm min.

When cutting out holes for mounting, make sure that cuttings do not enter the interior of the products.

■ Wiring

Be sure to wire I/O terminals correctly. When tightening the terminals, do not exert a force of 100 N or more on terminal blocks or connector terminals.

With Blocks with connector terminals, the current for 1 terminal must not exceed 7.5 A. If a higher current is required, use 2 terminals.

Recommended Wire Size for Single Operation

Model	Recommended wire size
S8TS-06024F S8TS-03012F	AWG 12 to 20 (cross-sectional area: 0.517 to 3.309 mm ²)
S8TS-02505F	AWG 12 to 18 (cross-sectional area: 0.823 to 3.309 mm ²)

Recommended Wire Size for Parallel Operation

Model		Recommended wire size
S8TS-06024F S8TS-03012F	For 2 Units connected in parallel	AWG 12 to 18 (cross-sectional area: 0.823 to 3.309 mm ²)
	For 3 Units connected in parallel	AWG 12 to 16 (cross-sectional area: 1.309 to 3.309 mm ²)
	For 4 Units connected in parallel	AWG 12 to 14 (cross-sectional area: 2.081 to 3.309 mm ²)

Blocks with Connector Terminals

- When using Blocks with connector terminals, the current for 1 terminal must not exceed 7.5 A. If a higher current is required, use 2 terminals.
- Do not insert/remove AC input connectors or DC output connector more than 20 times.

■ Installation Environment

Do not use the Power Supply in locations subject to shocks or vibrations. Be sure to mount End Plates (PFP-M) on both ends of the Power Supply. Install the Power Supply well away from any sources of strong, high-frequency noise.

■ Operating and Storage Environments

Do not use or store the Power Supply in the following locations. Doing so may result in failure, malfunction, or deterioration of performance characteristics.

- Do not use in locations subject to direct sunlight.
- Do not use in locations where the ambient temperature exceeds the range of the derating curve.
- Do not use in locations where the humidity is outside the range 25% to 85%, or locations subject to condensation due to sudden temperature changes.
- Do not store in locations where the ambient temperature is outside the range -25 to 65°C or where the humidity is outside the range 25% to 95%.
- Do not use in locations where liquids, foreign matter, corrosive gases, or flammable gases may enter the interior of products.

■ Charging Batteries

If a battery is connected as the load, provide an overcurrent control circuit and an overvoltage protective circuit.

■ Output Voltage Adjuster (V.ADJ)

Do not exert excessive force on the output voltage adjuster (V.ADJ). Doing so may break the adjuster.

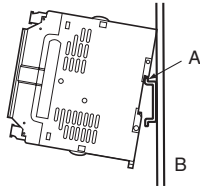
Setting the adjuster to a setting less than 10% may cause the undervoltage detection function to operate.

■ Bus Line Connectors

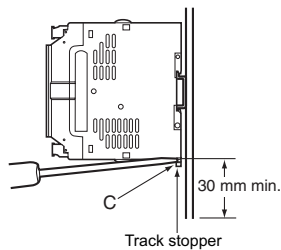
Do not apply sudden shocks (e.g., by dropping) to the Bus Line Connectors. Doing so may result in damage.

■ DIN Track Mounting

To mount the Block on a DIN track, hook portion (A) of the Block onto the track and press the Block in direction (B).



To dismount the Block, pull down portion (C) with a flat-blade screwdriver and pull out the Block.



■ No Output Voltage

If there is no output voltage, it is possible that overcurrent protection or overvoltage protection is operating. It is also possible that the latch protection circuit is operating due to the application of a large surge, such as lightning surge. Confirm the 2 points below. If there is still no output voltage, consult your OMRON representative.

- Checking for Overcurrent Protection:
Separate the load line and confirm that it is not in an overcurrent state (including short-circuits).
- Checking for Overvoltage Protection or Latch Protection:
Turn the input power supply OFF, and then turn it ON again after 1 minute or more has elapsed.

ALL DIMENSIONS SHOWN ARE IN MILLIMETERS.

To convert millimeters into inches, multiply by 0.03937. To convert grams into ounces, multiply by 0.03527.

OMRON

OMRON ELECTRONICS LLC

One East Commerce Drive
Schaumburg, IL 60173

1-800-55-OMRON

OMRON ON-LINE

Global - <http://www.omron.com>
USA - <http://www.omron.com/oei>
Canada - <http://www.omron.com/oci>

OMRON CANADA, INC.

885 Milner Avenue
Scarborough, Ontario M1B 5V8

416-286-6465